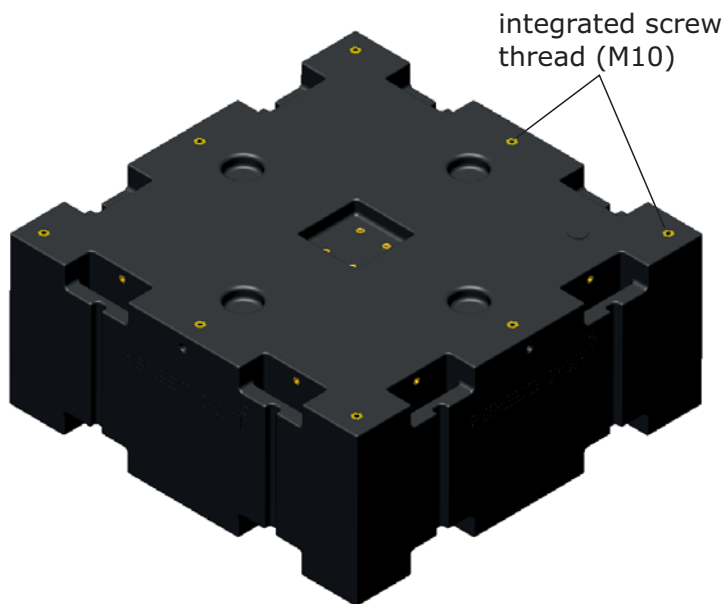
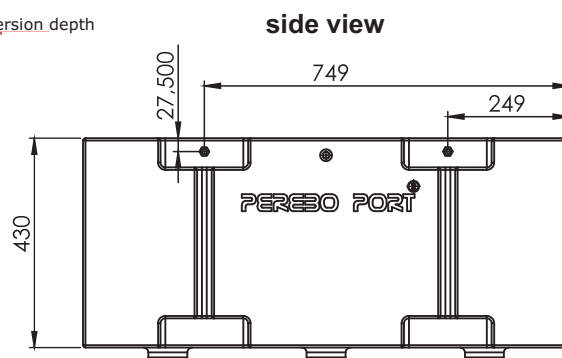
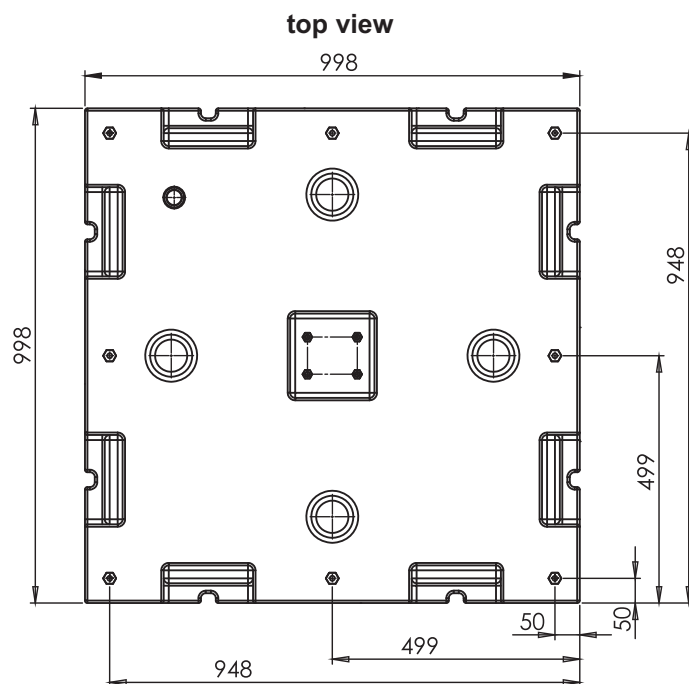
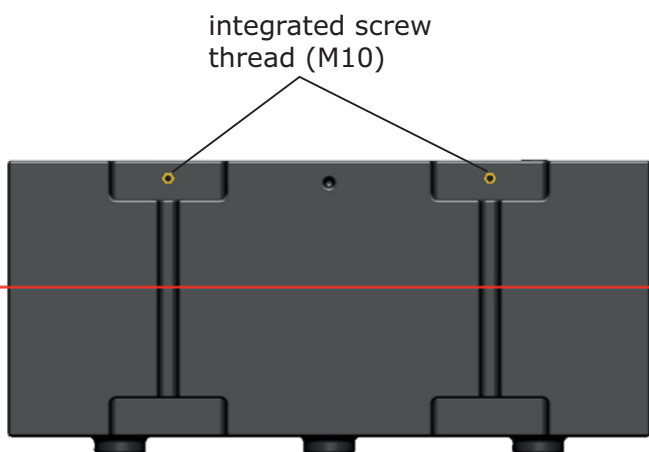
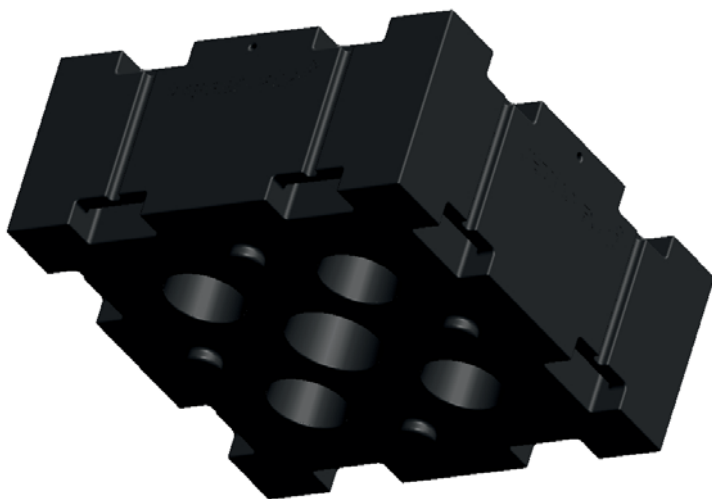


PEREBO float PT05



technical data	
dimensions L/W/H:	99,8 / 99,8 / 43,0cm
wall thickness :	approx. 7mm
self-weight:	approx. 30kg
material:	polyethylene
screw threads M10:	20x (12 above, 8 lateral)
standard color:	black
(other colors on request)	

load capacity (approx. values)	
immersion depth [cm]	load capacity [kg]
5,0	19,0
10,0	69,0
15,0	119,0
20,0	169,0
23,0	199,0
25,0	219,0
28,0	248,0
(self-weight deducted)	
max. recommended immersion depth= 23cm	



Important note:

Please note that it may come to dimensional deviations as a result of production and at different outside temperatures. Therefore, the thread distances must always measure directly on the pontoons.