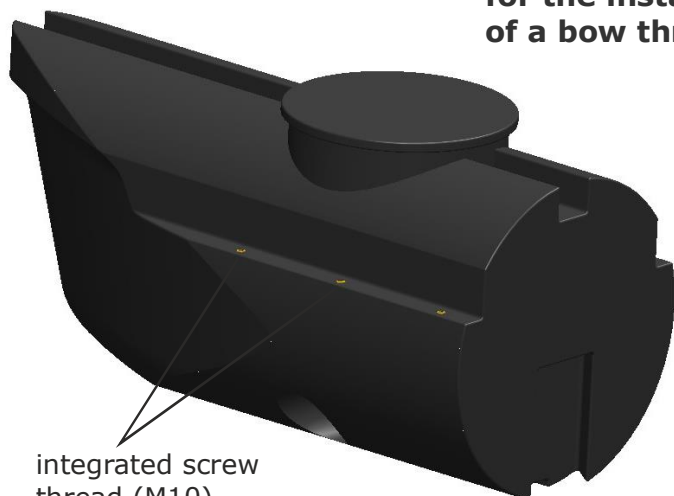


# PEREBO float system PT01 front section with tunnel

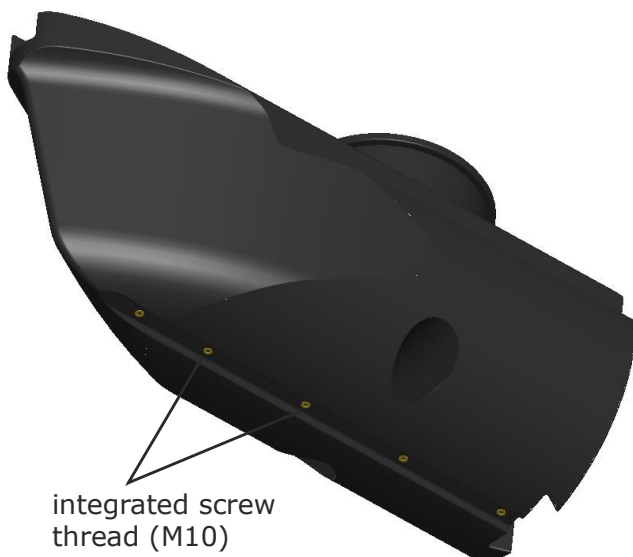
for the installation  
of a bow thruster

technical data	
dimensions:	Ø=75cm, l=165cm
wall thickness :	approx. 9mm
self-weight:	approx. 41kg
material:	polyethylene
screw threads M10:	15x (10 above, 5 below)
standard color:	black
(other colors on request)	

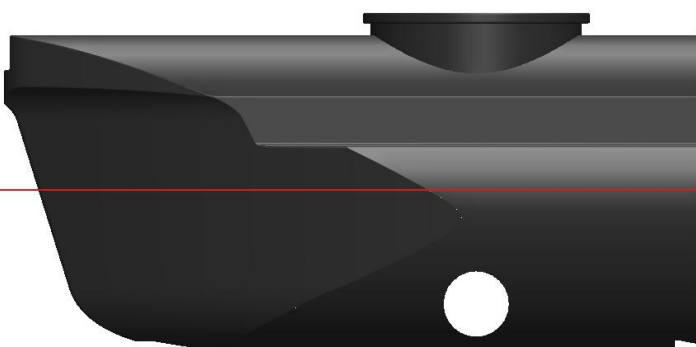
load capacity (approx. values)	
immersion depth [cm]	load capacity [kg]
5,0	-39,0
10,0	-13,0
15,0	20,0
20,0	58,0
25,0	98,0
30,0	141,0
35,0	185,0
<b>37,5</b>	<b>208,0</b>
40,0	231,0
45,0	278,0
(self-weight deducted)	
max. recommended immersion depth= 37,5cm	



integrated screw  
thread (M10)



integrated screw  
thread (M10)



37,5cm immersion depth

plug connection



**Important note:**

Please note that it may come to dimensional deviations as a result of production and at different outside temperatures.

