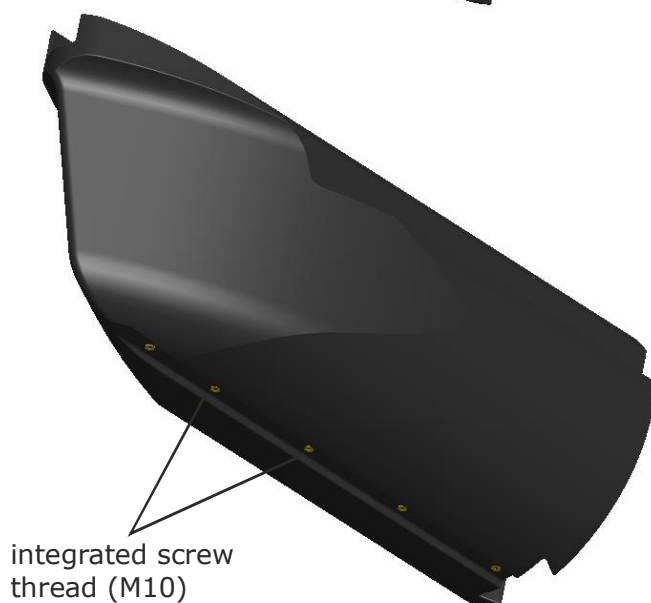
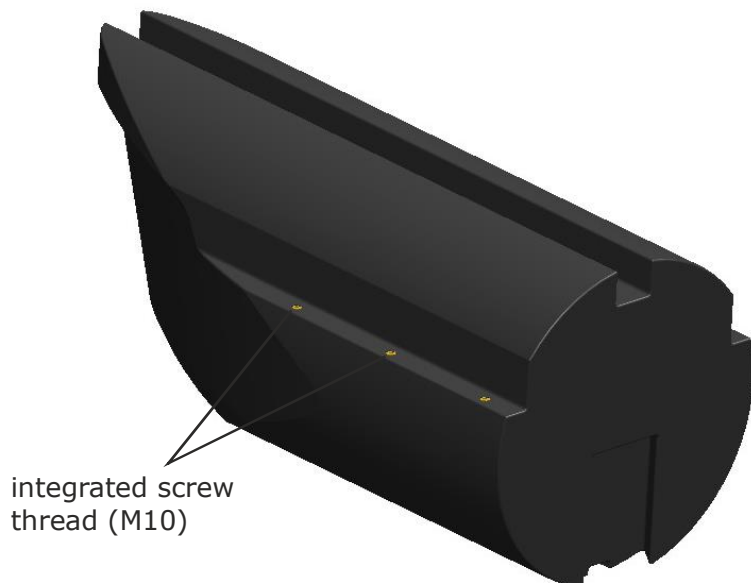
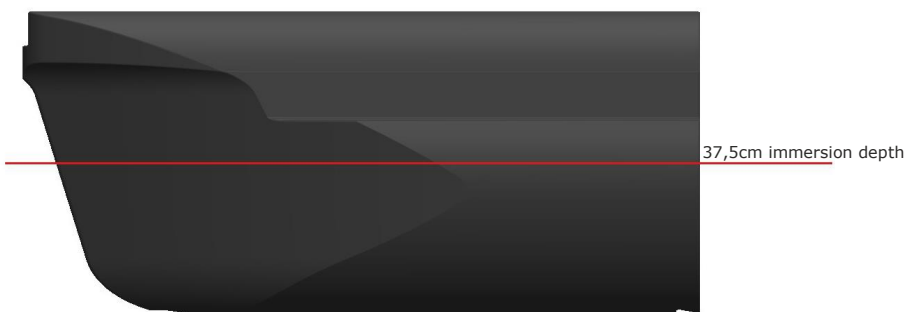


PEREBO float system PT01 front section



technical data	
dimensions:	Ø=75cm, l=165cm
wall thickness :	approx. 8mm
self-weight:	approx. 34kg
material:	polyethylene
screw threads M10:	17x (12 above, 5 below)
standard color:	black
(other colors on request)	

load capacity (approx. values)	
immersion depth [cm]	load capacity [kg]
5,0	-22,0
10,0	3,0
15,0	37,0
20,0	75,0
25,0	115,0
30,0	158,0
35,0	202,0
37,5	225,0
40,0	248,0
45,0	295,0
(self-weight deducted)	
max. recommended immersion depth= 37,5cm	



plug connection



Important note:

Please note that it may come to dimensional deviations as a result of production and at different outside temperatures.

