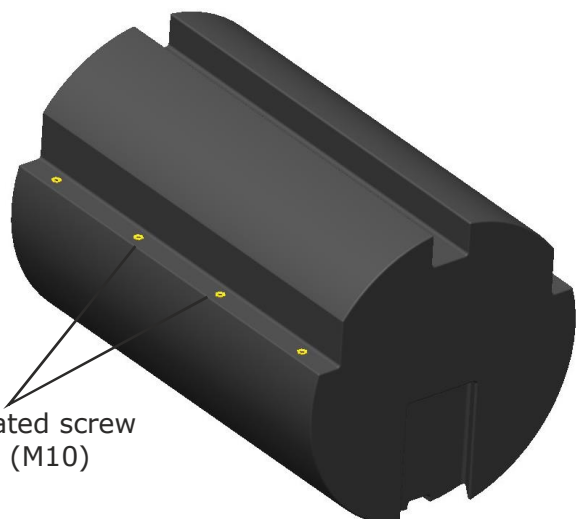
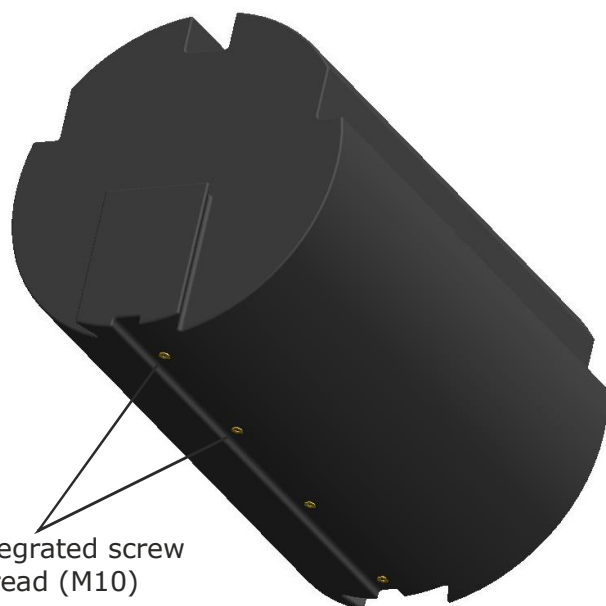


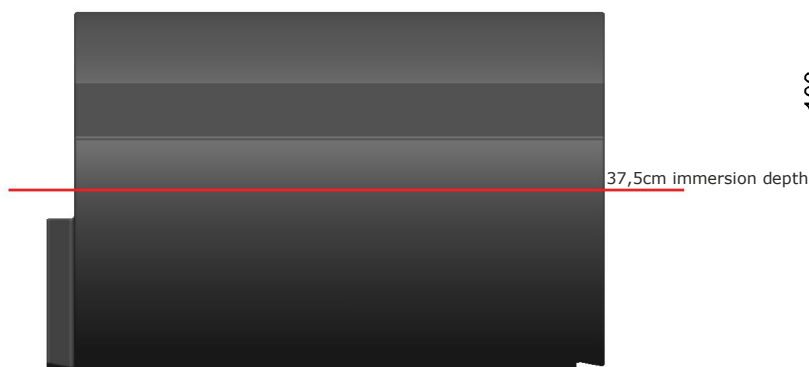
# PEREBO float system PT01 middle section



integrated screw thread (M10)



integrated screw thread (M10)



37,5cm immersion depth

plug connection



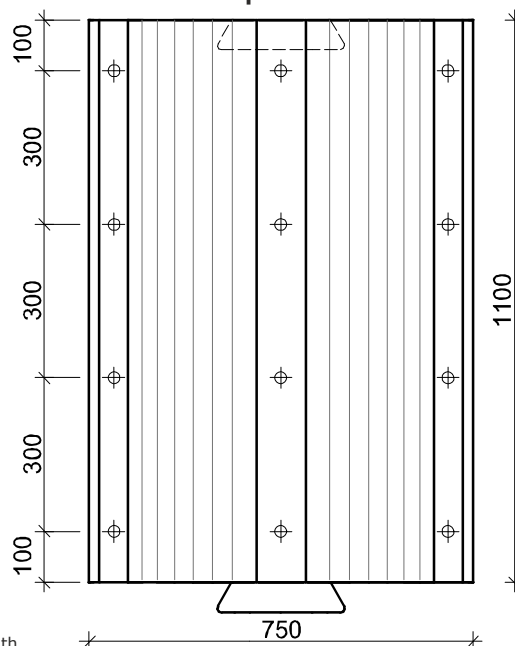
**Important note:**

Please note that it may come to dimensional deviations as a result of production and at different outside temperatures.

technical data	
dimensions:	Ø=75cm, l=110cm
wall thickness :	approx. 8mm
self-weight:	approx. 27kg
material:	polyethylene
screw threads M10:	16x (12 above, 4 below)
standard color:	black
(other colors on request)	

load capacity (approx. values)	
immersion depth [cm]	load capacity [kg]
5,0	-14,0
10,0	10,0
15,0	40,0
20,0	74,0
25,0	112,0
30,0	151,0
35,0	191,0
<b>37,5</b>	<b>212,0</b>
40,0	232,0
45,0	273,0
(self-weight deducted)	
max. recommended immersion depth= 37,5cm	

top view



front view

