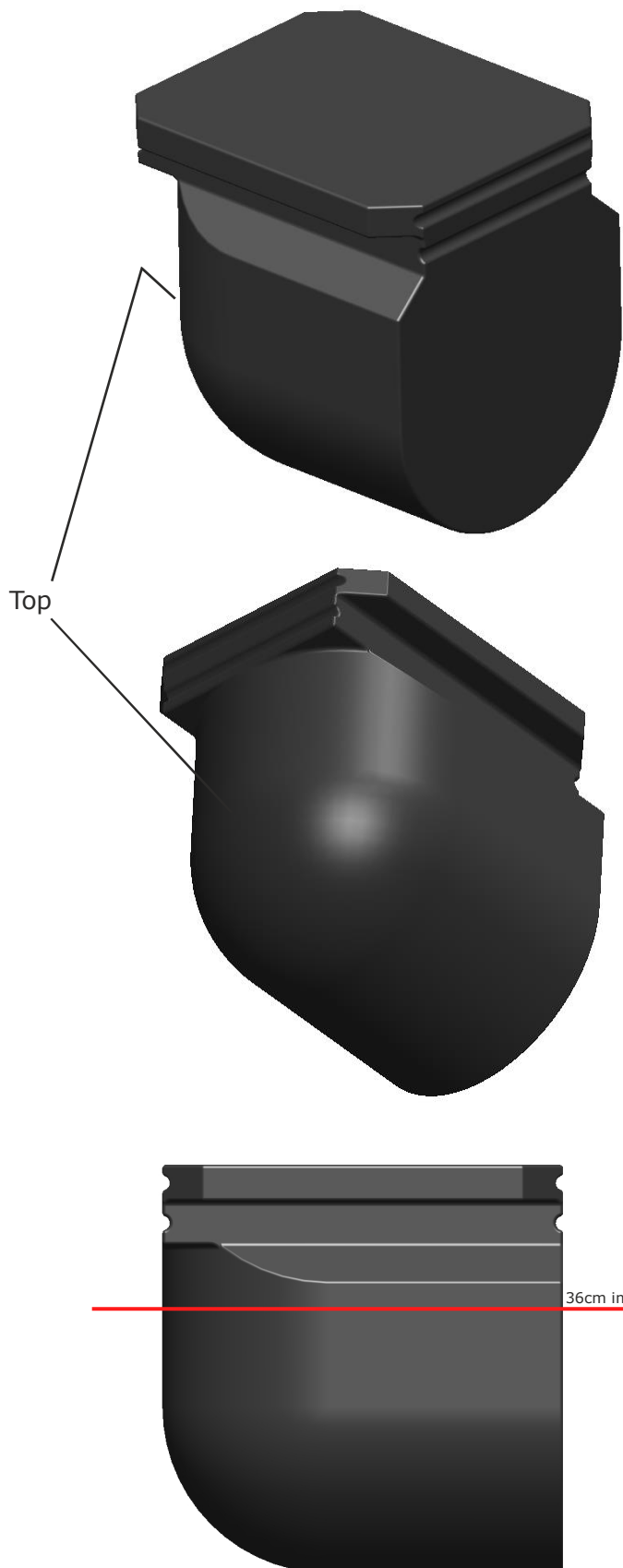
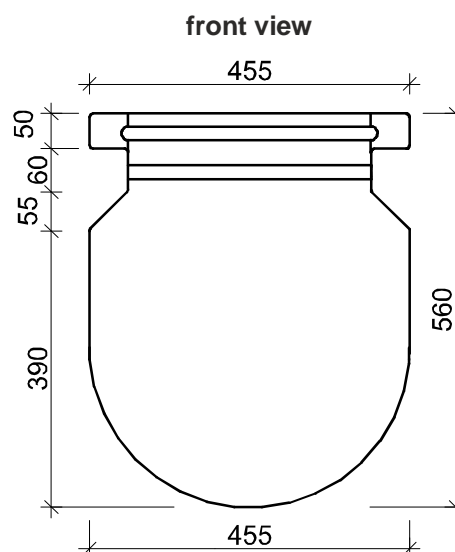
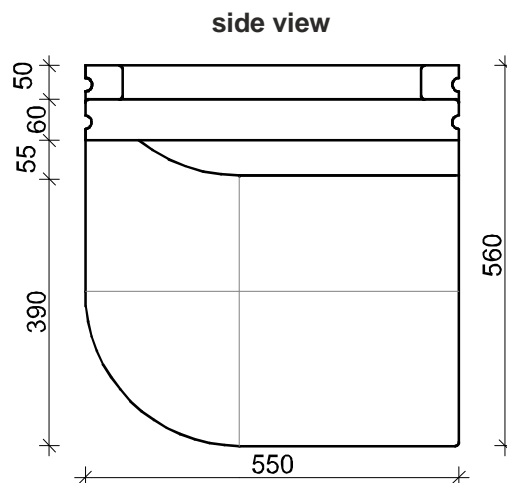


PEREBO float system PT02 front section



| technical data | |
|---------------------------|-----------------------|
| dimensions L/W/H: | 55,0 / 44,50 / 56,0cm |
| wall thickness : | approx. 7mm |
| self-weight: | approx. 10kg |
| material: | polyethylene |
| screw threads M10: | - |
| standard color: | black |
| (other colors on request) | |

| load capacity (approx. values) | |
|--|--------------------|
| immersion depth [cm] | load capacity [kg] |
| 5,0 | -4,0 |
| 10,0 | 4,0 |
| 15,0 | 15,0 |
| 20,0 | 28,0 |
| 25,0 | 40,0 |
| 28,0 | 48,0 |
| 30,0 | 53,0 |
| 36,0 | 68,0 |
| (self-weight deducted) | |
| 1/2 immersion depth= 28cm | |
| max. recommended immersion depth= 36cm | |



Important note:

Please note that it may come to dimensional deviations as a result of production and at different outside temperatures.