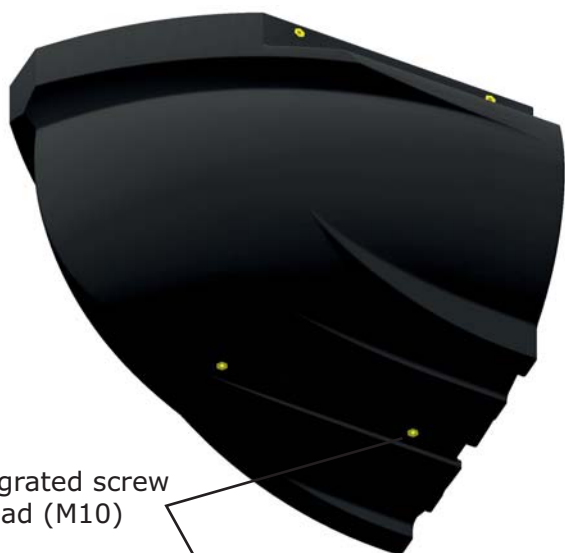


PEREBO float system PT06 front section



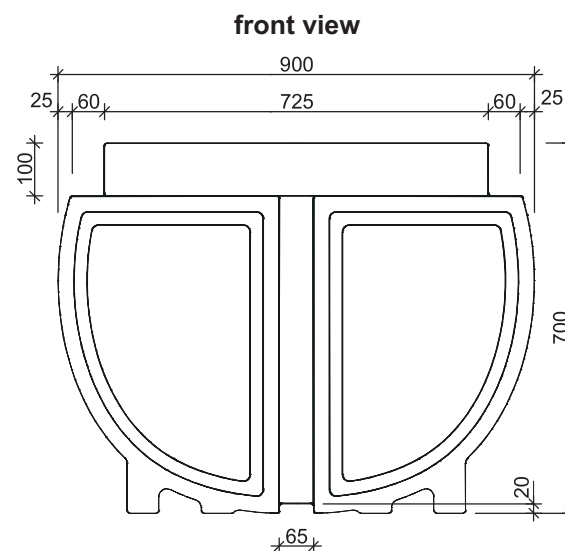
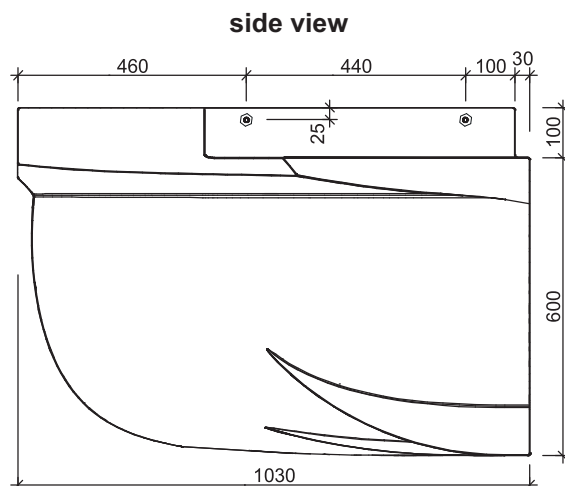
integrated screw thread (M10)



40cm immersion depth

| technical data | |
|---------------------------|--------------------------|
| dimensions L/W/H: | 103,0 / 90,0 / 70,0cm |
| wall thickness : | approx. 8mm |
| self-weight: | approx. 27kg |
| material: | polyethylene |
| screw threads M10: | 6x (4 lateral, 2 below) |
| standard color: | black |
| (other colors on request) | |

| load capacity (approx. values) | |
|--|--------------------|
| immersion depth [cm] | load capacity [kg] |
| 5,0 | -11,0 |
| 10,0 | 3,0 |
| 15,0 | 25,0 |
| 20,0 | 50,0 |
| 25,0 | 78,0 |
| 30,0 | 107,0 |
| 35,0 | 138,0 |
| 40,0 | 169,0 |
| 45,0 | 202,0 |
| (self-weight deducted) | |
| max. recommended immersion depth= 40cm | |



Important note:

Please note that it may come to dimensional deviations as a result of production and at different outside temperatures.