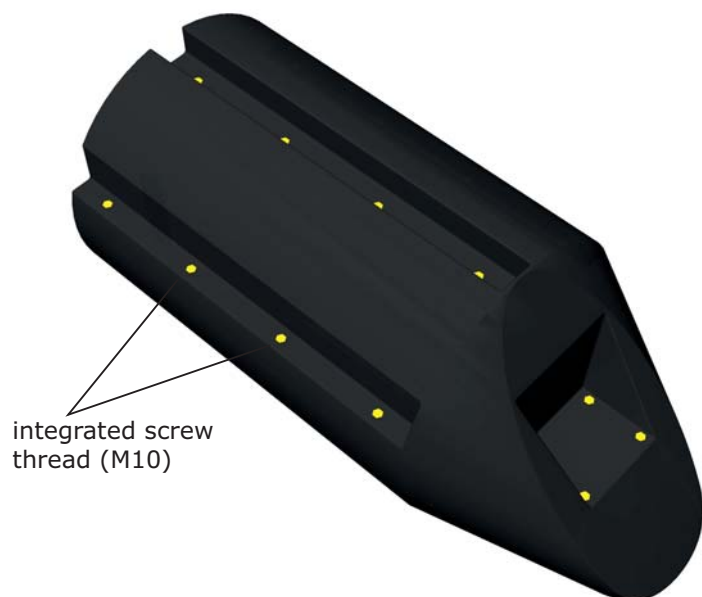


Modular Float System PT01

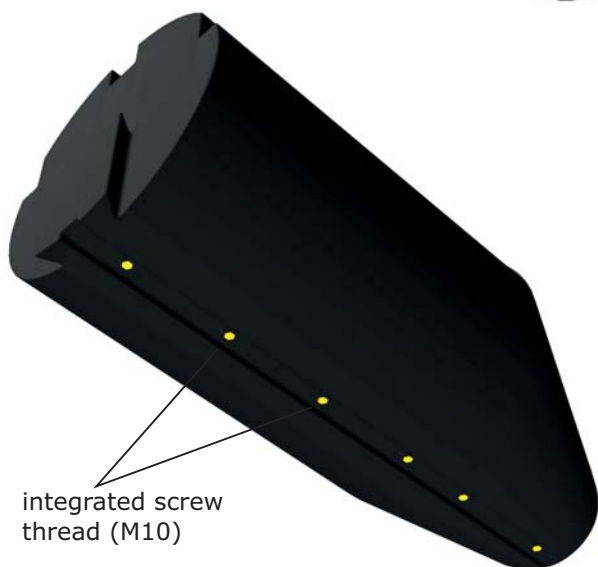
End Section

technical data	
dimensions:	Ø=75cm, l=165cm
wall thickness :	approx. 7-8mm
self-weight:	approx. 32kg
material:	polyethylene
screw threads M10:	22 pcs. in total
standard color:	black
(other colors on request)	

load capacity (approx. values)	
immersion depth [cm]	load capacity [kg]
5,0	-15,0
10,0	18,0
15,0	60,0
20,0	107,0
25,0	156,0
30,0	207,0
35,0	258,0
37,5	284,0
40,0	309,0
(self-weight deducted)	
max. recommended immersion depth= 37,5cm	



integrated screw thread (M10)



integrated screw thread (M10)



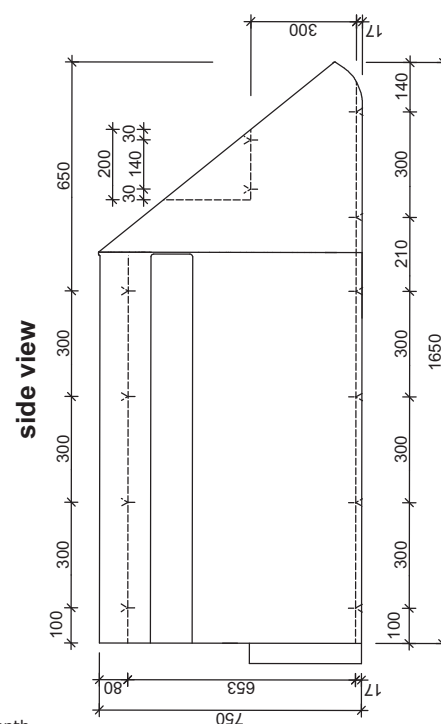
37,5cm immersion depth

dovetail connection



Important note:

Please note that it may come to dimensional deviations as a result of production and at different outside temperatures. Therefore, the thread distances must always measure directly on the pontoons.



front view

