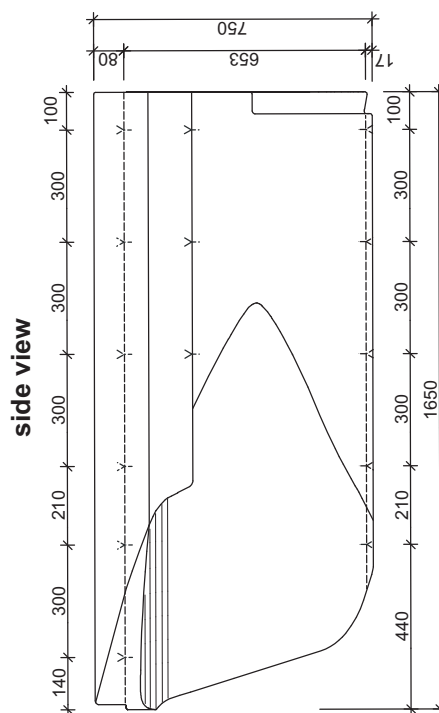
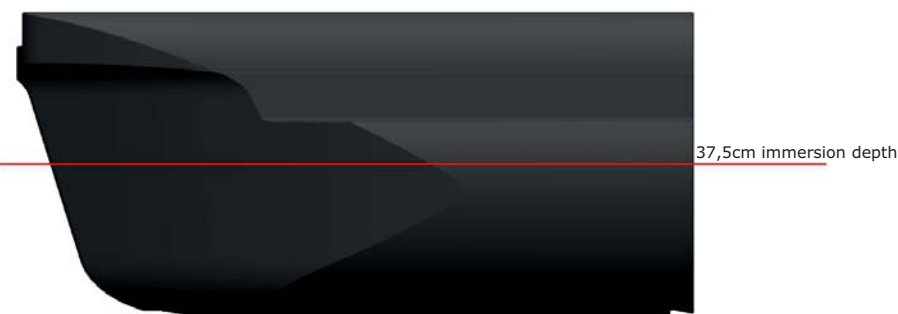
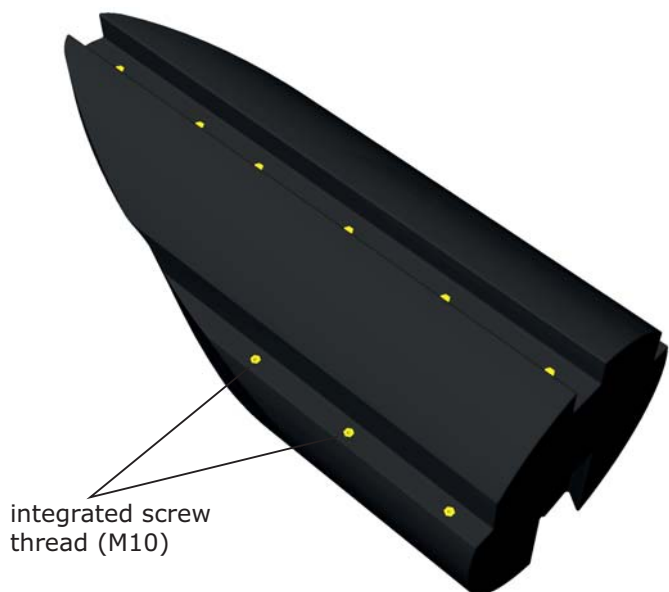


Modular Float System PT01

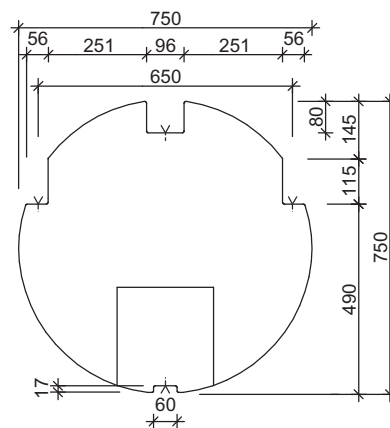
Front Section

| technical data | |
|---------------------------|------------------|
| dimensions: | Ø=75cm, l=165cm |
| wall thickness : | approx. 7-8mm |
| self-weight: | approx. 34kg |
| material: | polyethylene |
| screw threads M10: | 17 pcs. in total |
| standard color: | black |
| (other colors on request) | |

| load capacity (approx. values) | |
|--|--------------------|
| immersion depth [cm] | load capacity [kg] |
| 5,0 | -22,0 |
| 10,0 | 3,0 |
| 15,0 | 37,0 |
| 20,0 | 75,0 |
| 25,0 | 115,0 |
| 30,0 | 158,0 |
| 35,0 | 202,0 |
| 37,5 | 225,0 |
| 40,0 | 248,0 |
| (self-weight deducted) | |
| max. recommended immersion depth= 37,5cm | |



front view



dovetail connection



Important note:

Please note that it may come to dimensional deviations as a result of production and at different outside temperatures. Therefore, the thread distances must always measure directly on the pontoons.