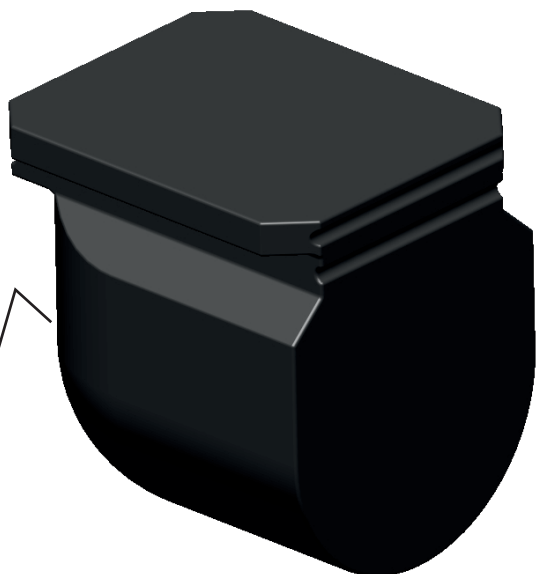
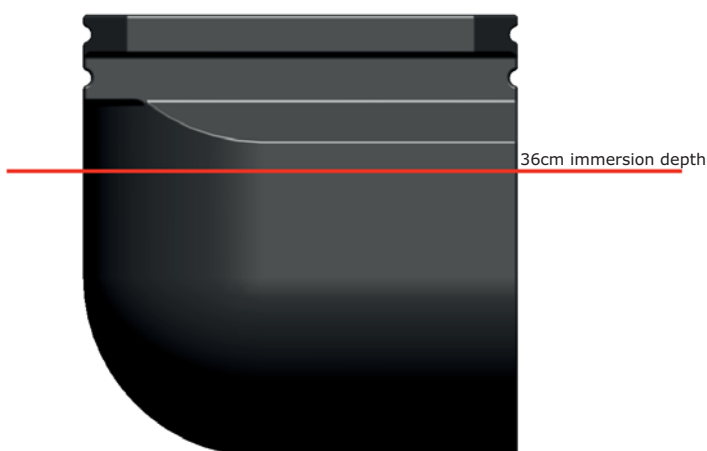


# PEREBO float system PT02 front section



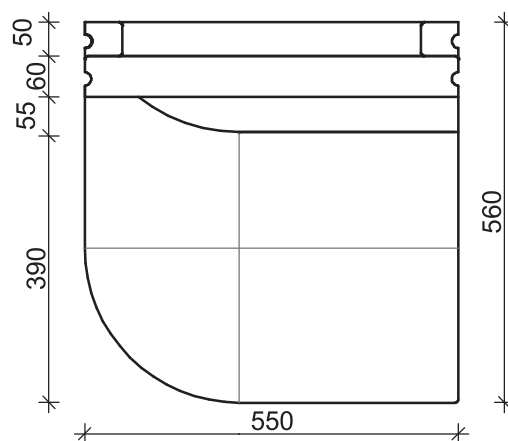
rounded top



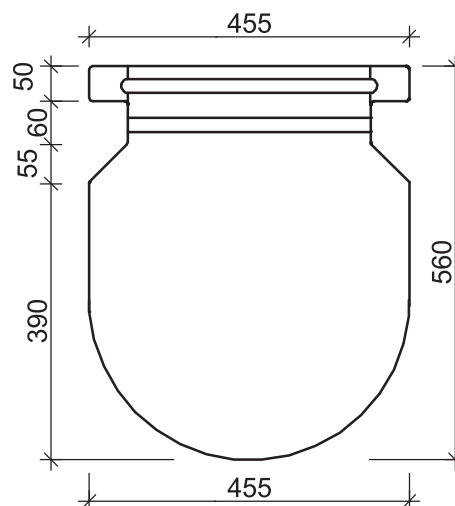
technical data	
dimensions L/W/H:	55,0 / 44,50 / 56,0cm
wall thickness :	approx. 7mm
self-weight:	approx. 10kg
material:	polyethylene
screw threads M10:	-
standard color:	black
(other colors on request)	

load capacity (approx. values)	
immersion depth [cm]	load capacity [kg]
5,0	-4,0
10,0	4,0
15,0	15,0
20,0	28,0
25,0	40,0
<b>28,0</b>	<b>48,0</b>
30,0	53,0
<b>36,0</b>	<b>68,0</b>
(self-weight deducted)	
1/2 immersion depth= 28cm	
max. recommended immersion depth= 36cm	

side view



front view



**Important note:**

Please note that it may come to dimensional deviations as a result of production and at different outside temperatures.